

WEEE Recyclables

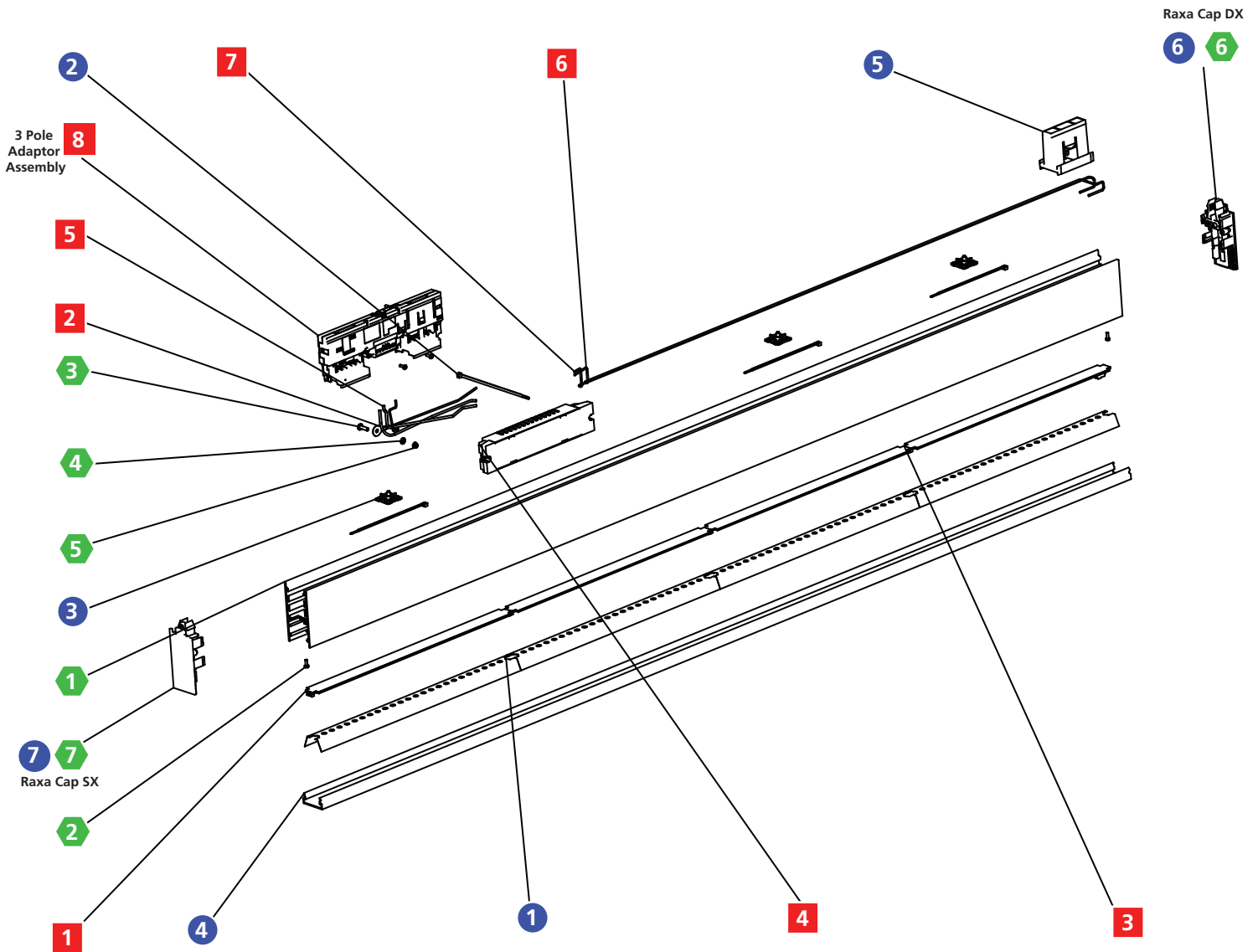
1. Slave 26 LED Board
2. Ground Assembly 300mm + 90mm wiring
3. START 26 LED Board
4. Driver ON-OFF TCI ATON 30 250-700 BI
5. Rigid Cable H05V2-U 0.5 mm² 400mm brown
6. AWG 22 UL STYLE1333 Wire Black 580mm
7. AWG 22 UL STYLE1333 Wire Red 580mm
8. see - **(3 Pole Adaptor Assembly)**

PLASTIC Recyclables

1. Flux Recuperator
2. Nylon Cable Tie 6.6x100mm thickness 2.5mm
3. Adhesive Band Holder
4. Opal Screen Length 1137mm
5. Mechanical Adaptor
6. see - **(Raxa Cap DX)**
7. see - **(Raxa Cap SX)**

METAL Recyclables

1. Body Profile Length 1142mm
2. Self-threading screw 2.2x4.5 TBC DIN 7981 C
3. EH screw M3x10 DIN 933
4. External toothed washer M3 DIN 6798 A
5. Hexagon nut M3 with toothed flange DIN 6923
6. see - **(Raxa Cap DX)**
7. see - **(Raxa Cap SX)**

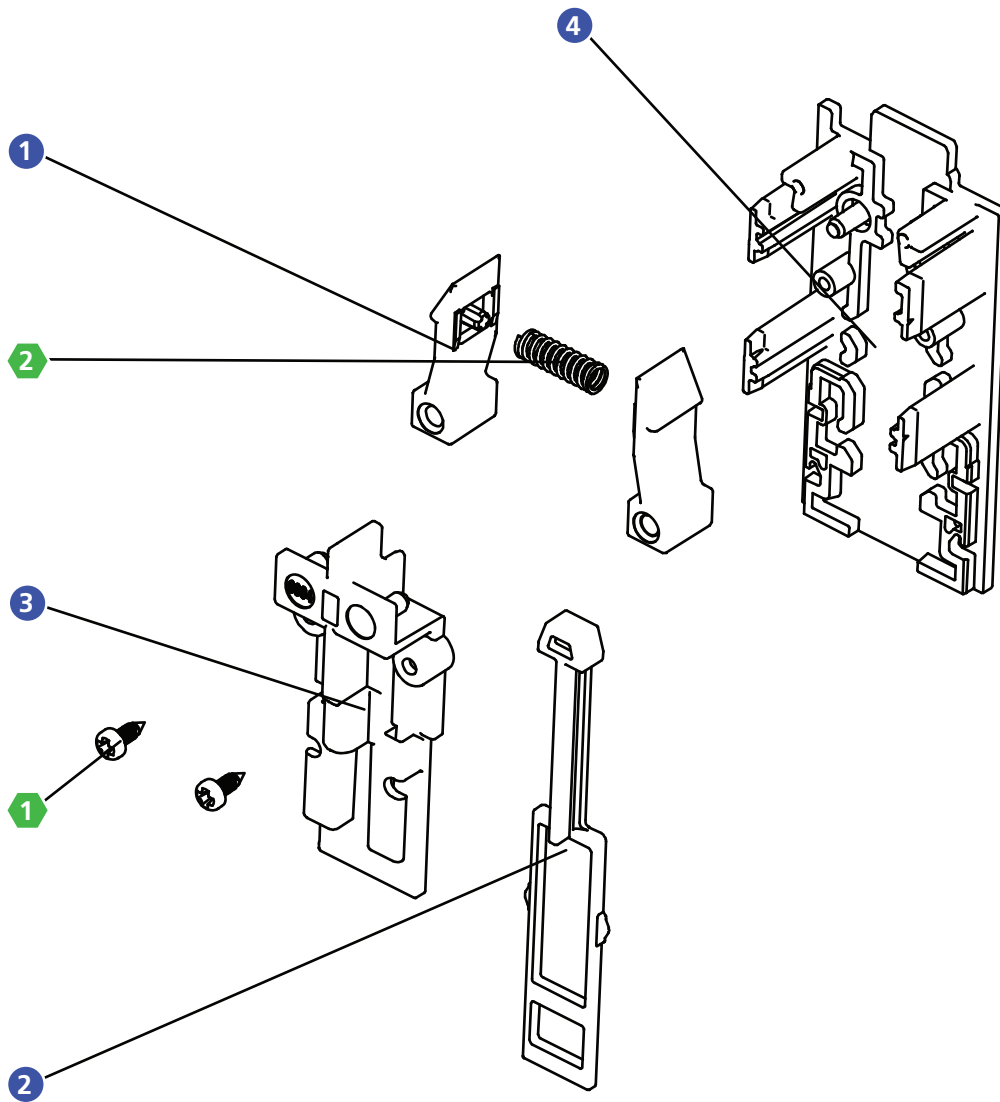


PLASTIC Recyclables

- 1. Spring Support Arm
- 2. Cap clamping tab
- 3. Heart Cap Raxa
- 4. Body Cap Raxa DX

METAL Recyclables

- 1. Self-threading screw 2.2x4.5 CCH DIN 7981 C
- 2. Steel Spring

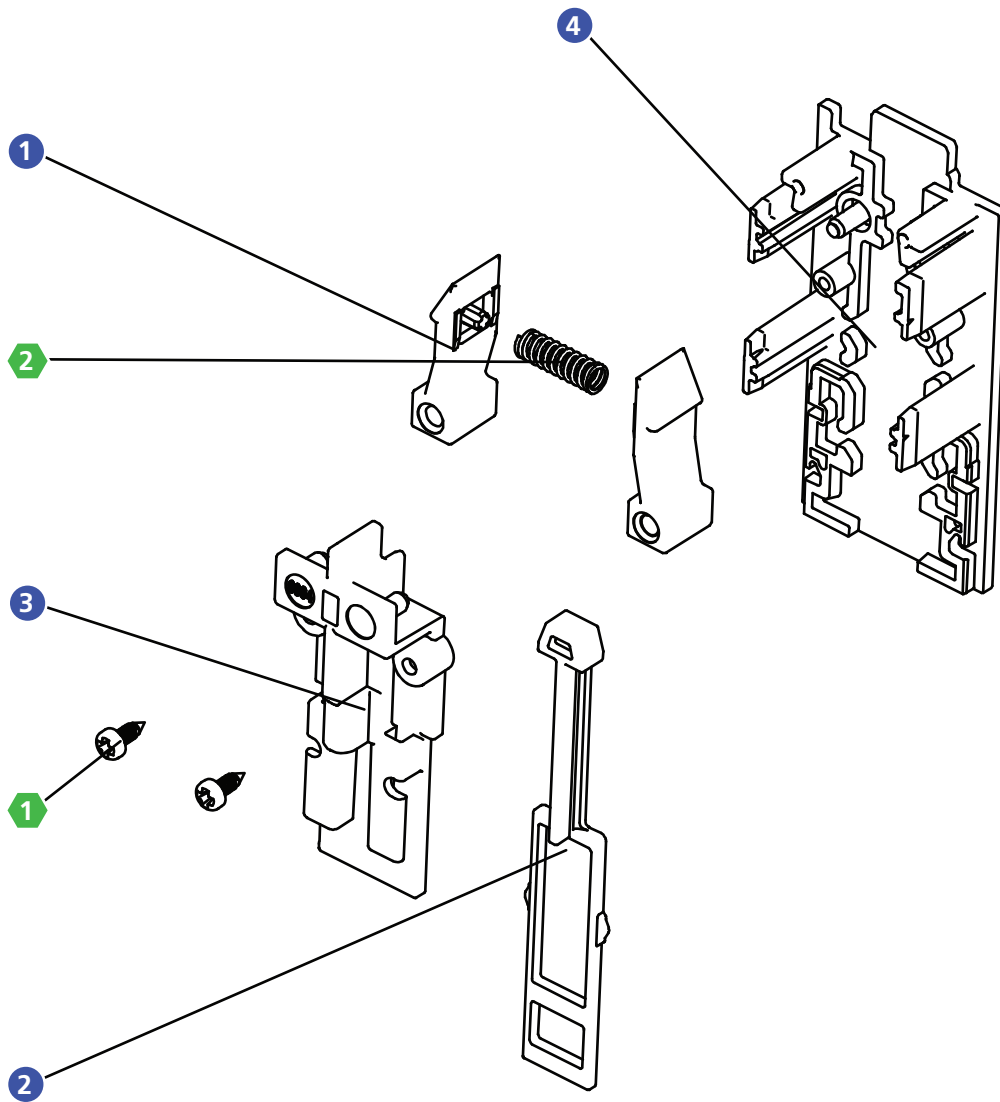


PLASTIC Recyclables

- 1. Spring Support Arm
- 2. Cap clamping tab
- 3. Heart Cap Raxa
- 4. Body Cap Raxa SX

METAL Recyclables

- 1. Self-threading screw 2.2x4.5 CCH DIN 7981 C
- 2. Steel Spring



WEEE Recyclables

1. Brown cable with crimped contacts
2. Blue cable with crimped contacts
3. Black cable with crimped contacts
4. White cable with crimped contacts

PLASTIC Recyclables

1. Selector
2. Adaptors DX support
3. Adaptors SX support
4. Selectors body
5. Plastic contact body
6. Plastic contact body
7. Raxa's Adaptor plastics
8. Raxa's Adaptor plastics
9. Raxa's Adaptor plastics
10. Selectors body

METAL Recyclables

1. Track-side earth contact
2. Line contacts
3. Selector contact for power supply
4. Contacts spring
5. Spring for rail mounting
6. Self-threaded screw 2.2x4.5 TBC DIN 7981 C

